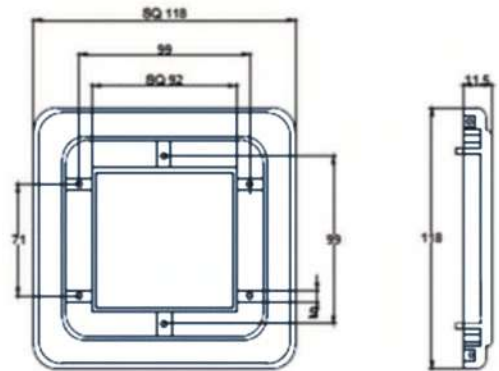


SWITCH GEAR

OA - 01

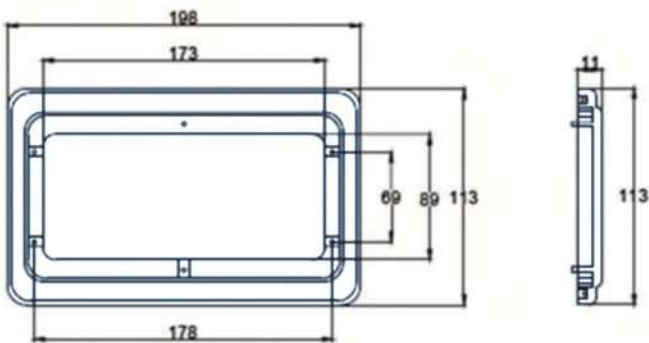


Material : Crystal / Polycarbonate (Engineering)
Plastic
Finish : Transparent



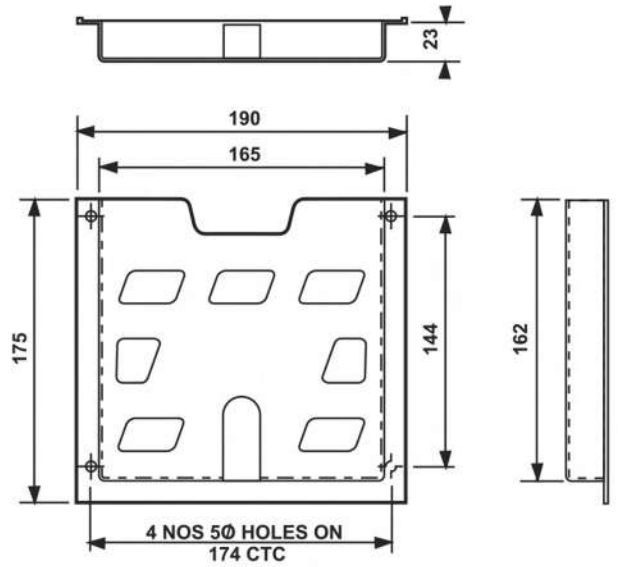
OA - 02

Material : Crystal / Polycarbonate (Engineering)
Plastic
Finish : Transparent

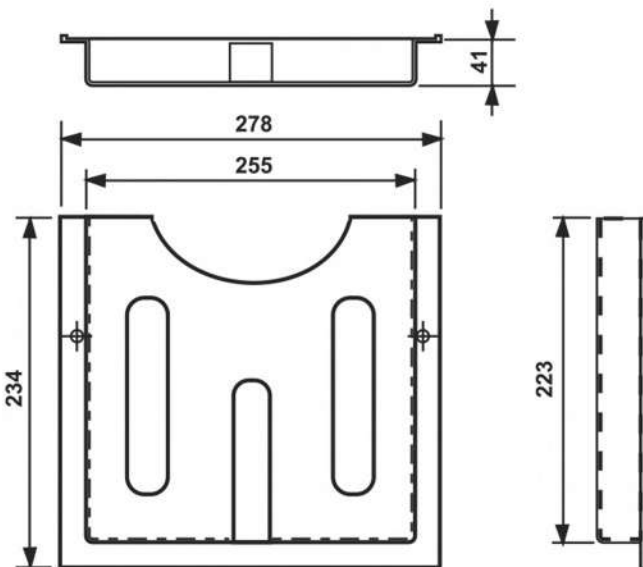
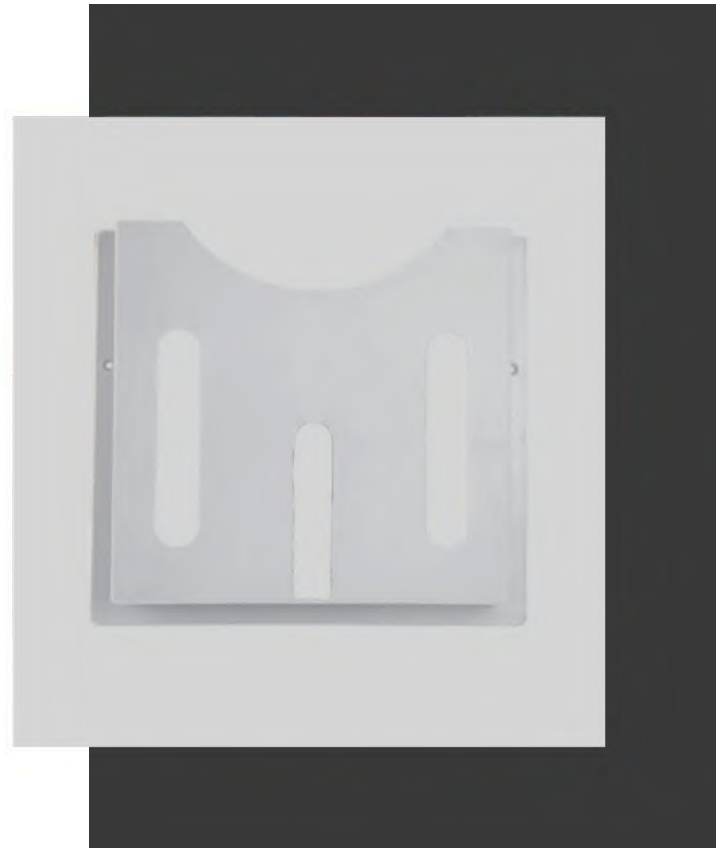


SWITCH GEAR

Document Holder (Size A5)

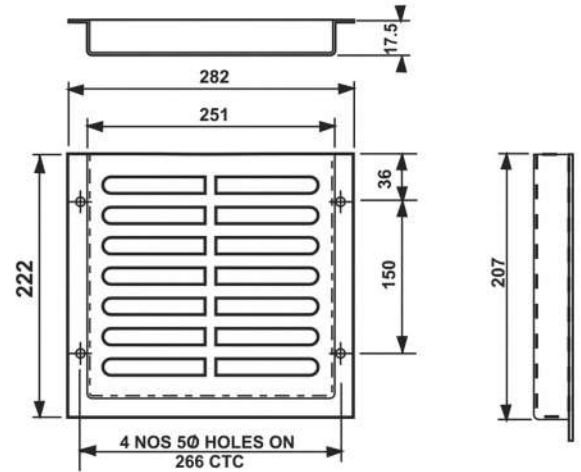


Document Holder (Size A4)



SWITCH GEAR

Document Holder (Size A4)



Fuse Units

FUSE UNITS - GEC TYPE REWIREABLE & HRC

	Rating	Description
1)	20 X 415	REWIRABLE & DB TYPE FUSE UNIT
2)	32 X 415	REWIRABLE & DB TYPE F/UNIT
3)	63 X 415	REWIRABLE & DB TYPE F/UNIT
4)	100 X 415	REWIRABLE & DB TYPE F/UNIT
5)	20 X 415	HRC GE TYPE F/UNIT
6)	32 X 415	HRC GE TYPE F/UNIT
7)	63 X 415	HRC GE TYPE F/UNIT
8)	100 X 415	HRC GE TYPE F/UNIT
9)	32 X 500	EXCEL (STD) HRC TYPE F/UNIT
10)	63 X 500	EXCEL (STD) HRC TYPE F/UNIT
11)	100 X 500	EXCEL (STD) HRC TYPE F/UNIT



SWITCH GEAR

Bus Bar Insulators(Conical)



	Height X Thread size	dia 1 / dia 2
1	C-25 X M6	Ø 25 / 20 mm
2	C-30 X M6	Ø 30 / 24 mm
3	C-30 X M6	Ø 30 / 24 mm
4	C-35 X M6	Ø 35 / 25 mm
5	C-40 X M8	Ø 40 / 32 mm
6	C-40 X M10	Ø 40 / 32 mm
7	C-50 X M10	Ø 50 / 38 mm
8	C-50 X M12	Ø 50 / 38 mm
9	C-60 X M12	Ø 50 / 38 mm
10	C-60 X M12 T-2	Ø 60 / 46 mm
11	C-80 X M12	Ø 55 / 42 mm
12	C-90 X M12	Ø 55 / 42 mm
13	C-100 X M12	Ø 60 / 42 mm

Bus Bar Insulators(Hexagonal)

	Height X Thread size	Hex (Across Flat)
1	H-15 X M4	14 mm
2	H-20 X M6	18 mm
3	H-25 X M6	25 mm
4	H-30 X M6	32 mm
5	H-30 X M8	32 mm
6	H-35 X M6	42 mm
7	H-40 X M8	35 mm
8	H-45 X M8	42 mm
9	H-50 X M8	48 mm
10	H-50 X M10	48 mm
11	H-60 X M10	48 mm
12	H-60 X M12	48 mm



SWITCH GEAR

Bus Bar Insulators(Cylindrical)



	<u>Height x Thread Size</u>	<u>Diameter</u>
1	CY 20 X M5	20 mm
2	CY 30 X M6	20 mm
3	CY 40 X M8	30 mm
4	CY 40 X M10	30 mm
5	CY 50 X M8	30 mm
6	CY 50 X M10	30 mm
7	CY 70 X M6 X 4	40 mm

L Supporter

<u>Cat No.</u>	<u>Height</u>	<u>x</u>	<u>length</u>	<u>x</u>	<u>width</u>	<u>x</u>	<u>thickness</u>
1 L60	60	X	50	X	40	X	10mm
2 L85	85	X	50	X	40	X	10mm
3 L105	105	X	50	X	40	X	10mm
4 L125	125	X	50	X	40	X	10mm
5 L150	150	X	50	X	40	X	10mm



SWITCH GEAR

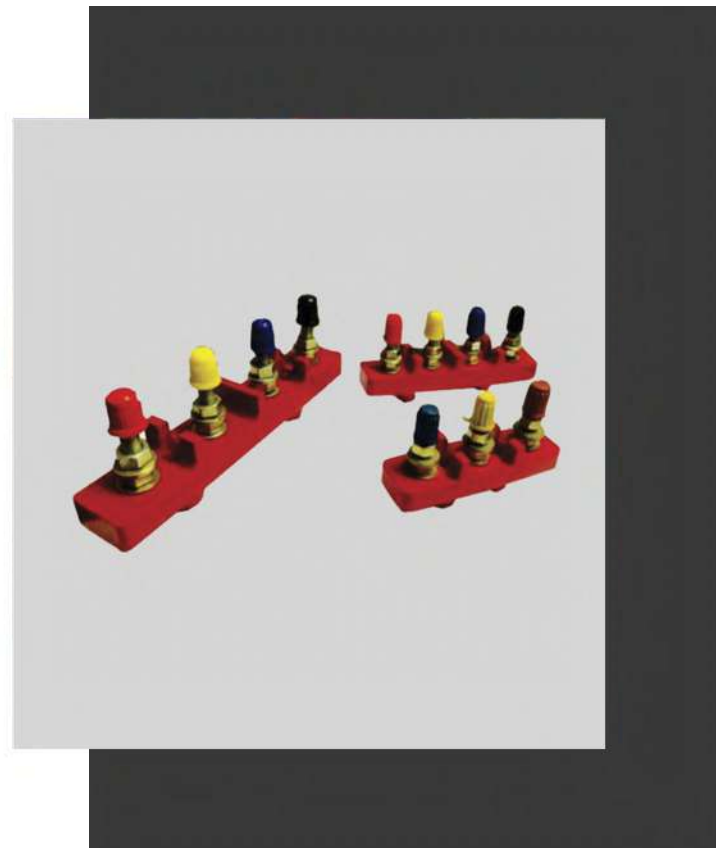
Bus Bar Insulators(Finger)



Cat No	Size	Thickness	Hole Pitch
1	S-1 X 6	70 X 50	10/15mm 22 mm
2	S-1 X 10	70 X 50	10/15mm 22 mm
3	S-1 X 12	70 X 50	10/15mm 22 mm
4	W-1 X 6	70 X 60	10/15mm 32 mm
5	W-1 X 10	70 X 60	10/15mm 32 mm
6	W-1 X 12	70 X 60	10/15mm 32 mm
7	W-2 X 6	70 X 60	10/15mm 32 mm
8	W-2 X 10	70 X 60	10/15mm 32 mm
9	W-3 X 6	70 X 60	10/15mm 32 mm
10	W-3 X 10	70 X 100	10/15mm 50 mm
11	W-3 X 12	70 X 100	10/15mm 50 mm
12	W-4 X 6	70 X 100	10/15mm 50 mm
13	W-4 X 10	70 X 100	10/15mm 50 mm
14	XW-4 X 10	70 X 130	10/15mm 80 mm
15	XW-4 X 12	70 X 130	10/15mm 80 mm
16	K-1 X 6	70 X 70	16/20mm 40 mm
17	K-1 X 10	70 X 70	16/20mm 40 mm
18	K-1 X 12	70 X 70	16/20mm 40 mm
19	K-2 X 6	70 X 70	16/20mm 40 mm
20	K-2 X 10	70 X 70	16/20mm 40 mm
21	K-2 X 12	70 X 70	16/20mm 40 mm
22	K-3 X 6	70 X 70	16/20mm 40 mm
23	K-3 X 10	70 X 100	16/20mm 50 mm
24	K-3 X 12	70 X 100	16/20mm 50 mm
25	K-4 X 10	70 X 100	16/20mm 50 mm
26	K-5 X 6	70 X 100	16/20mm 50 mm
27	K-6 X 6	70 X 100	16/20mm 50mm
28	XK-4 X 10	70 X 130	16/20mm 80 mm
29	XK-4 X 12	70 X 130	16/20mm 80mm
30	XK-5 X 10	70 X 130	16/20mm 80 mm

Bus Bar Insulators(Terminal)

- | | |
|---------------------|----------------------|
| 1 TP-1/63 Amps - | 3 way with RYB caps |
| 2 TPN-1/63 Amps - | 4 way with RYBB caps |
| 3 TP-2/100 Amps - | 3 way with RYB caps |
| 4 TPN-2/100 Amps - | 4 way with RYBB caps |
| 5 TPN-SP/100 Amps - | 4 way with RYBB caps |



SWITCH GEAR

Lugs



- **SAFE&HIGH CONDUCTIVITY MATERIAL**-- Pure copper cable lug with excellent conductivity characteristics. Made from Full Annealed copper tubular with tinned surface for corrosion protection, has a long life performance.
- **EASY&CONVENIENT**-- Easy installation, convenient to connect wires, save time and effort in operation. P.S. the cable and the wire lugs must be inserted in place and crimped with professional tools.
- **WIDE APPLICATIONS**-- Widely used in the wire connection for Back-up Distribution Box & Power & Battery Banks, Welding & Marine Grade Cables, ATVs, RVs & Golf Carts, Solar Panels & Inverter Cables, Home applications, etc.

Standard Terminal Blocks

Cat No.	Wire Size	Rating	H	X	W	X	T	Std. Pkg.	End Plates	Partition Place
JCST 2.5 mini	2.5 mm ²	27 Amp.	43.0	X	36.0	X	6.7	100	JEP/M1	JPP/1M
JCST 2.5	4 mm ²	36 Amp.	49.0	X	40.0	X	7.0	200	JEP/1	JPP/1
JCST 6	6 mm ²	47 Amp.	49.0	X	40.0	X	8.0	200	JEP/1	JPP/1
JCST 10	10 mm ²	65 Amp.	49.0	X	40.0	X	10.0	200	JEP/1	JPP/2
JCST 16	16 mm ²	87 Amp.	55.0	X	50.0	X	12.0	100	JEP/2	JPP/2
JCST 25	25 mm ²	100 Amp.	59.0	X	59.0	X	13.0	100	JEP/5	JPP/5
JCST 35	35 mm ²	145 Amp.	60.0	X	54.0	X	18.0	50	JEP/3	JPP/3



SWITCH GEAR

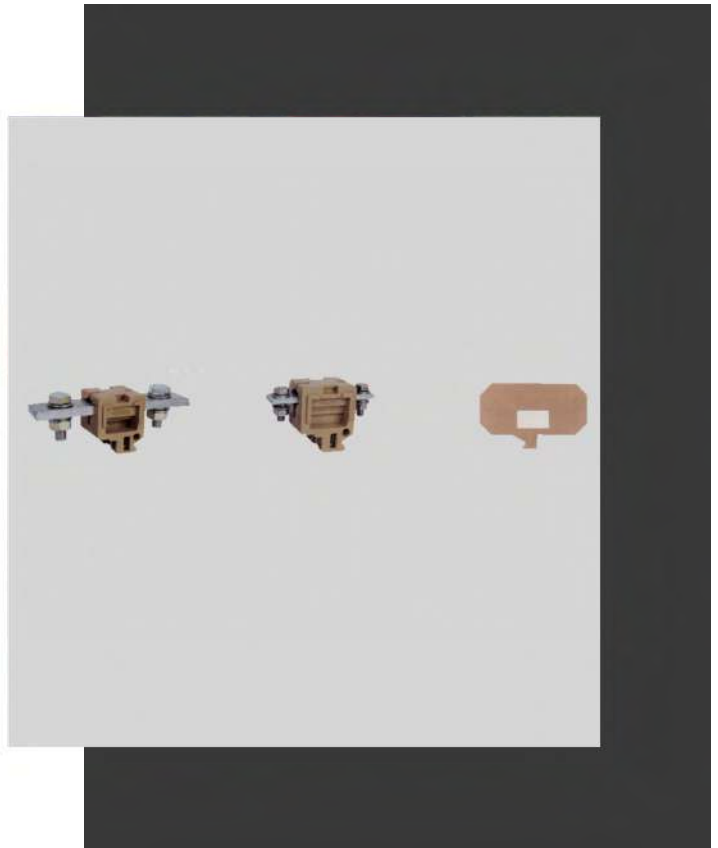
Stud Type Terminals



JST B3	4 mm ²	36 Amp.	44.5	X	50.0	X	10.0	Size M3	100	JST EP-1	JSTPP/1
JST B4	10 mm ²	45 Amp.	44.5	X	50.0	X	13.0	Size M4	100	JST EP-1	JSTPP/1
JST B5	10 mm ²	45 Amp.	44.5	X	50.0	X	13.0	Size M5	100	JST EP-1	JSTPP/1
JST N4	10 mm ²	45 Amp.	44.5	X	50.0	X	15.0	Size M4	100	JST EP-1	JSTPP/1
JST N5	10 mm ²	45 Amp.	44.5	X	50.0	X	15.0	Size M5	100	JST EP-1	JSTPP/1
JST N6	16 mm ²	87 Amp.	44.5	X	50.0	X	17.0	Size M6	100	JST EP-1	JSTPP/1
JSTRN-5	16 mm ²	87 Amp.	49.0	X	43.0	X	26.0	Size M5	50	JR EP-1	-----
JSTRN-6	35 mm ²	145 Amp.	49.0	X	43.0	X	26.0	Size M6	50	JR EP-1	-----

Bus Bar Type Terminals

JCST 35 L	16-50 mm ²	145 Amp.	49.0	X	76.0	X	28.0	-----	10	JCST EP-4
JCST 70 L	50-95 mm ²	250 Amp.	49.0	X	96.0	X	37.0	-----	10	JCST EP-4
JCST 95 L	70-120 mm ²	300 Amp.	49.0	X	130.0	X	39.0	-----	10	JCST EP-4
JCST 185 L	120-185 mm ²	450 Amp.	49.0	X	126.0	X	43.0	-----	10	JCST EP-4
JCST 35 L-S	16-50 mm ²	145 Amp.	49.0	X	76.0	X	28.0	-----	10	JCST EP-4
JCST 70 L-S	50-95 mm ²	250 Amp.	49.0	X	96.0	X	37.0	-----	10	JCST EP-4



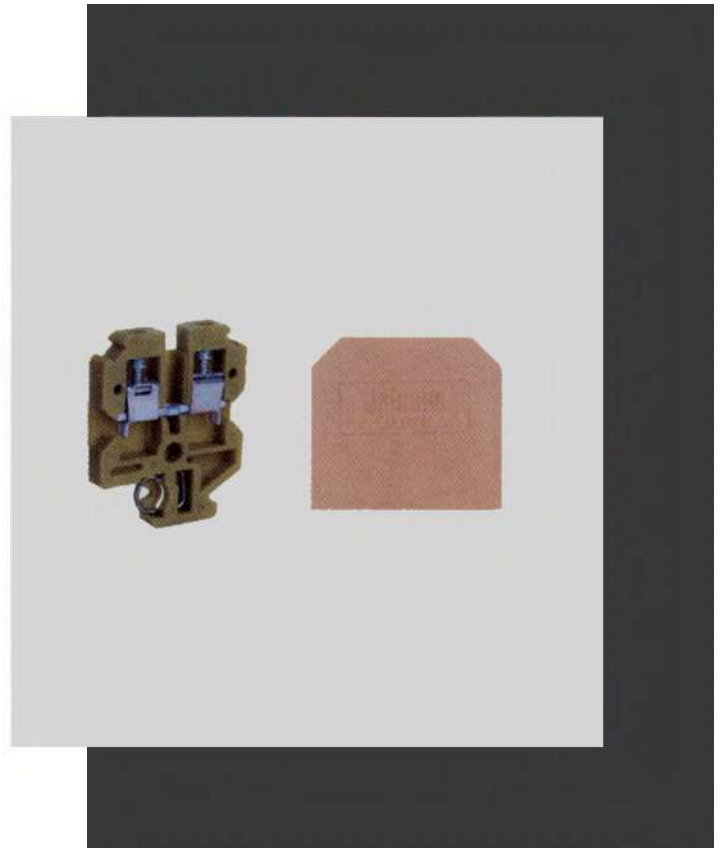
SWITCH GEAR

Disconnecting & Testing Terminal



JDTT M 4	1.5-6 mm ²	65 Amp.	57.0	X	69.0	X	13.0	50	JDT EP-1
----------	-----------------------	---------	------	---	------	---	------	----	----------

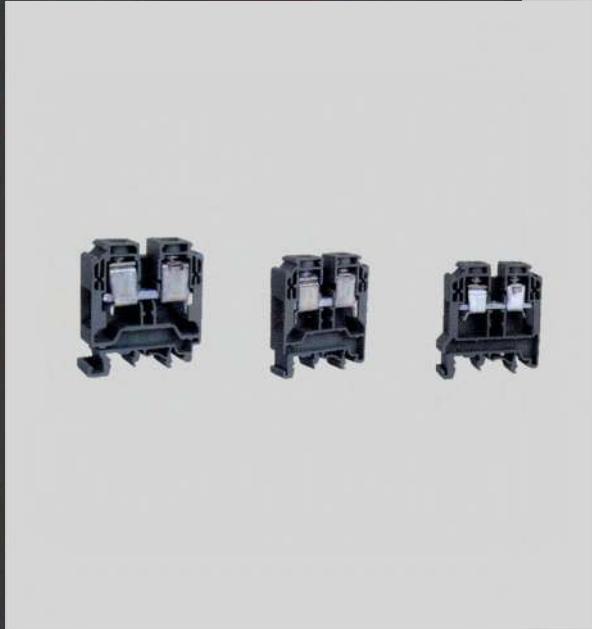
Unbreakable Standard Terminal



JUT 4	0.5-4 mm ²	49.0	X	40.0	X	7.0	36 Amp.	200	8.50	JEP-1	5.20
-------	-----------------------	------	---	------	---	-----	---------	-----	------	-------	------

SWITCH GEAR

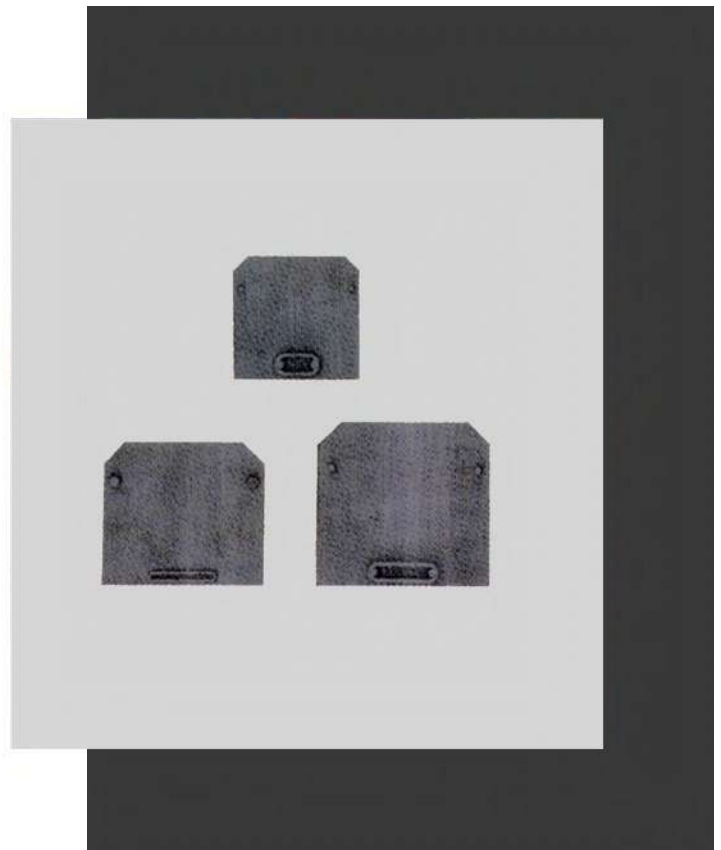
Std Screw Clamp Terminal



Cat No.	Wire Size	Size					Amp / Volts	Size Pkg.
		H	X	W	X	T		
JKUT 2.5	2.5 mm ²	41.0	X	42.5	X	6.0	25 / 800	200
JKUT 4	4 mm ²	46.4	X	42.5	X	6.7	32 / 800	200
JKUT 6	6 mm ²	46.4	X	42.5	X	8.0	41 / 800	200
JKUT 10	10 mm ²	50.0	X	42.5	X	10.0	57 / 800	200
JKUT 16	16 mm ²	50.0	X	45.0	X	12.0	76 / 800	100
JKUT 25	25 mm ²	56.0	X	45.0	X	12.0	101 / 800	100
JKUT 35	35 mm ²	58.0	X	51.0	X	15.5	125 / 800	50

End Plates

Cat No.	Suitable For	Size					Size Pkg.
		H	X	W	X	T	
JUEP/01	JKUT 2.5	29.7	X	35.8	X	1.75	50 nos.
JUEP/02	JKUT 4	35.0	X	39.2	X	1.75	50 nos.
JUEP/02	JKUT 6	35.0	X	39.2	X	1.75	50 nos.
JUEP/02	JKUT 10	35.0	X	39.2	X	1.75	50 nos.
JUEP/03	JKUT 16	40.8	X	41.8	X	1.75	50 nos.
JUEP/04	JKUT 25	45.2	X	45.0	X	1.75	50 nos.
JUEP/05	JKUT 35	46.7	X	49.7	X	1.550	50 nos.



SWITCH GEAR

Universal End Clamp



Cat No.	Suitable For	Size					Size Pkg.
		H	X	W	X	T	
JUEC/101	Din 32 mm, 35 mm Din 35 – 15 mm Rail	34	X	45	X	9 mm	50 nos.

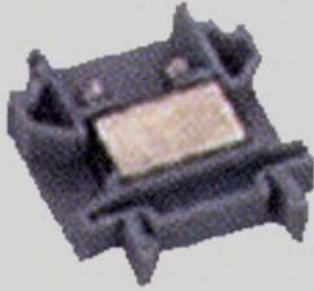
Fuse Terminal Blocks

Cat No.	Wire Size	Amp / Volts	Size					Size Pkg.
			H	X	W	X	T	
JUDF 4 (Without Fuse)	4 mm ²	6.3 / 800	4.25	X	56.0	X	8.20	100
JUDF 4 (With Double Fuse)	4 mm ²	6.3 / 800	4.25	X	56.0	X	8.20	100



SWITCH GEAR

Micro terminal



JMT 4	0.5 - 4 mm ²	29.0	X	26.0	X	6.5	36 Amp.	9.50	200	JM EP-1
-------	-------------------------	------	---	------	---	-----	---------	------	-----	---------

Selector Switch

2 Position,
3 Position
Spring Return
Size : 22.5mm
Color : Black
Material : PP & Brass



SWITCH GEAR

LED Indicators



Material : ABS / PP

Colour : Red, Yellow, Green, Blue

Emergency Switch

Size : 22.5 mm
Color : Red
Material : Nylon, PP & Brass



SWITCH GEAR

Push Button



Size : 22.5 mm
Color : Red, Green, Blue, Yellow
Material : Nylon & Brass

MCB

